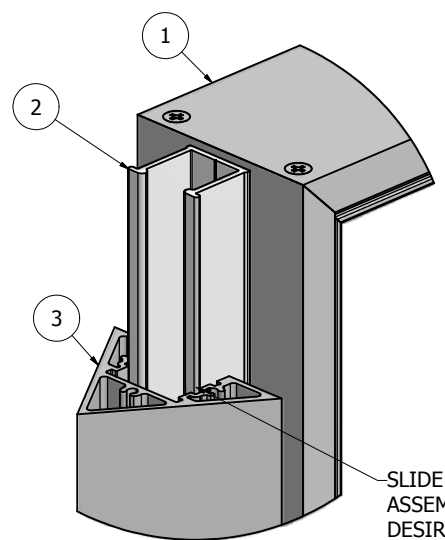
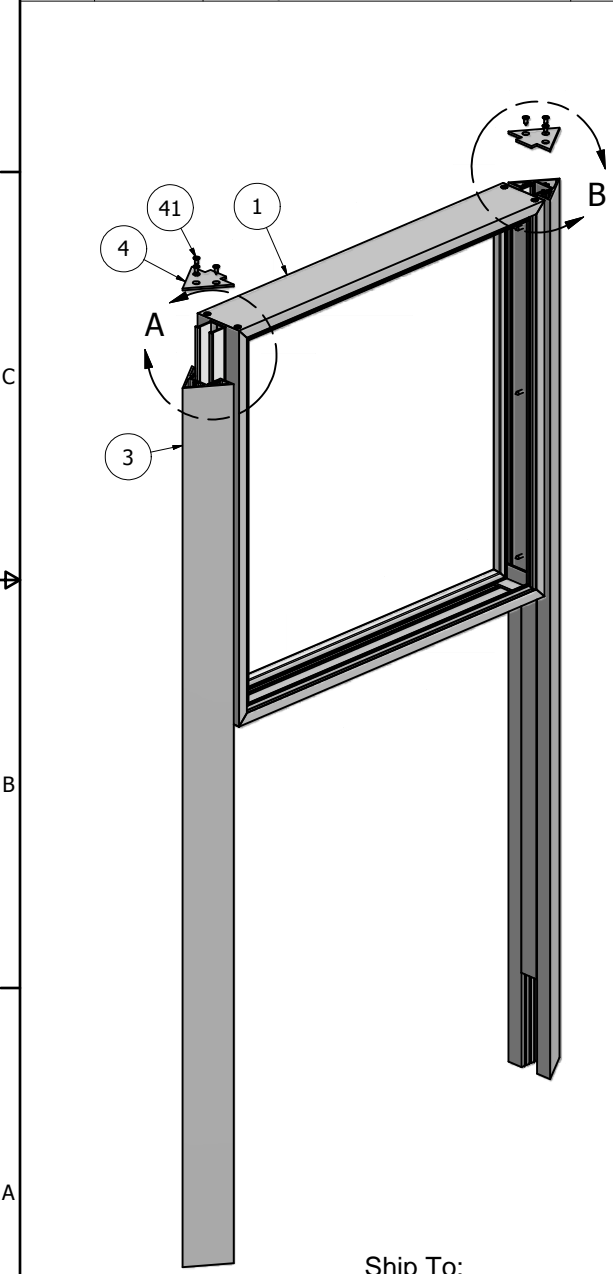
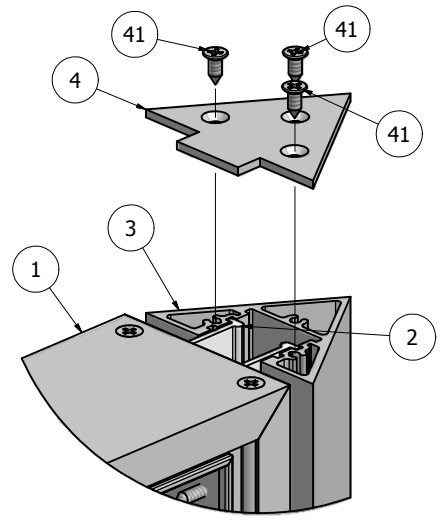


Parts List			
ITEM	PART #	DESCRIPTION	NOTES
1	1260	Series 3 Slide Body - Assembly	Slide body into post
2	1200	Series 2/3 Reveal	Attached to body
3	1240	Series 3 Triangular Post - Assembly	
4	Post Cap	Series 3 triangular Post Cap	Zero Reveal Part #5015, 3/8" Reveal Part #5016, 3/4" Reveal Part #5017
41	5040	Post Cap Screw	3 - #10 x 1/2" counter sunk phillips head screws per post

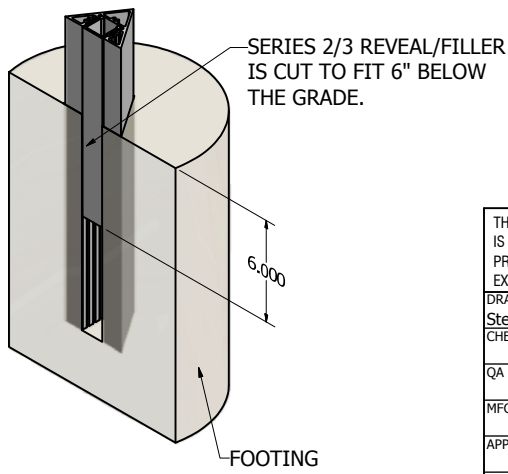
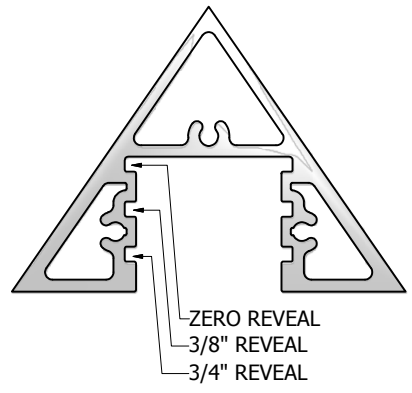


DETAIL A

SLIDE THE BODY/CABINET ASSEMBLY INTO THE DESIRED REVEAL POSITION.



DETAIL B



SERIES 2/3 REVEAL/FILLER IS CUT TO FIT 6" BELOW THE GRADE.

FOOTING

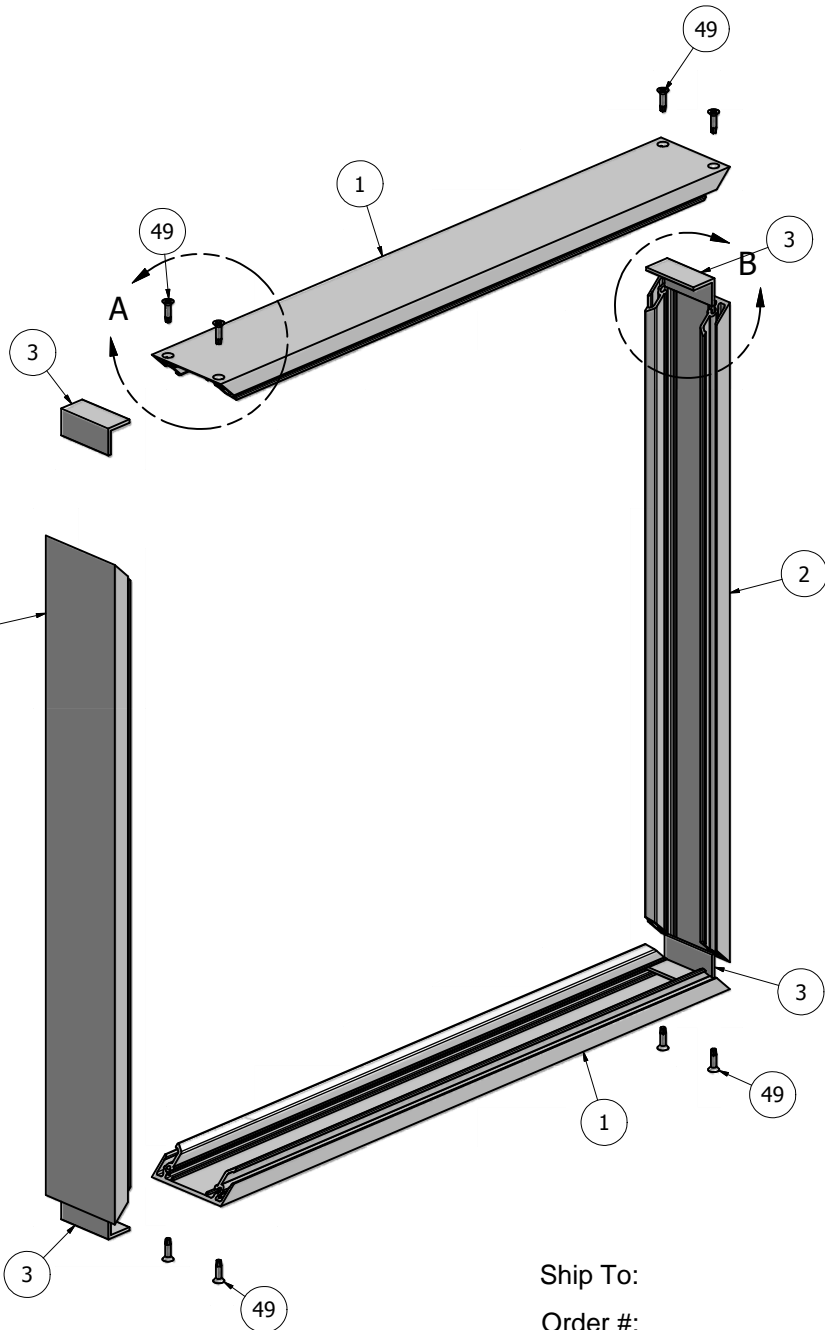
NOTE: PRE-CUT KITS ARE NOT PRE-DRILLED.
 (Holes shown in this drawing are for reference only. Drilling of pilot holes are to be done by fabricator.)

THIS DRAWING WAS CREATED AT NO CHARGE TO ASSIST YOU IN VISUALIZING OUR PROPOSAL. THE DRAWING HEREIN IS THE PROPERTY OF SIGNCOMP. PERMISSION TO COPY OR REVISE THIS DRAWING OR TO USE THIS DRAWING FOR PRODUCTION IS STRICTLY PROHIBITED AND CAN ONLY BE COPIED, REVISED OR USED FOR PRODUCTION WITH THE EXPRESSED WRITTEN PERMISSION OF SIGNCOMP.

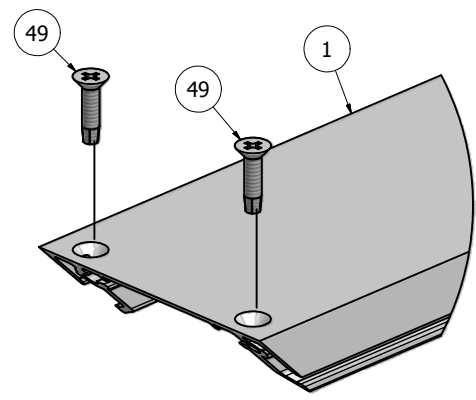
DRAWN	Steve	5/25/2010	SignComp	
CHECKED				
QA			TITLE	
MFG			Series 3 Slide Body - Series 3 Triangular Post - Assembly	
APPROVED			SIZE	DWG NO
			C	K1260-40-00
			SCALE	REV
			SHEET 1 OF 1	

Ship To:
 Order #:

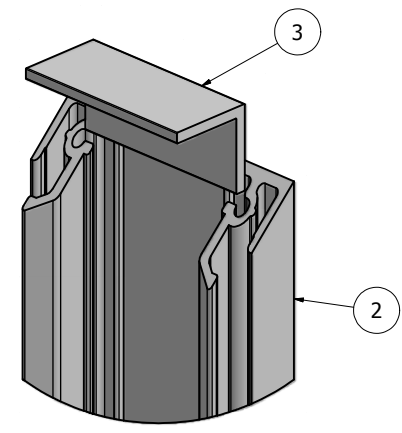
Parts List			
ITEM	PART #	DESCRIPTION	NOTES
1	1260	Series 3 Slide Body	Top & Bottom
2	1260	Series 3 Slide Body	Sides
3	5335	Series 3 Slide Body Corner Angle	
49	5240	Slide Body Corner Screw	#10 Counter Sink



Ship To:
Order #:



DETAIL A

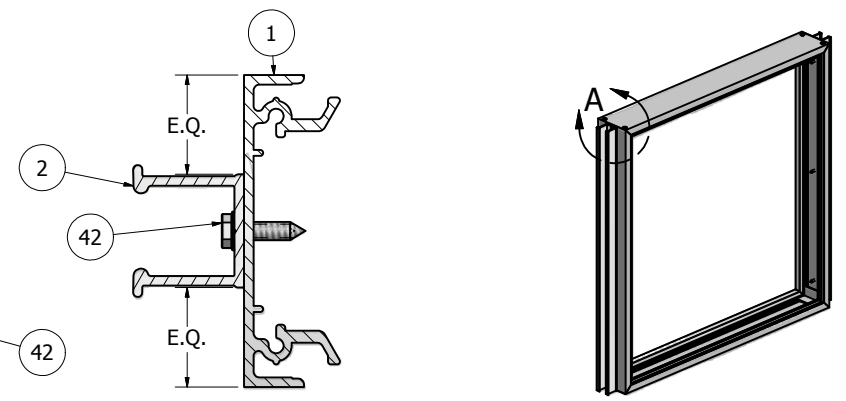
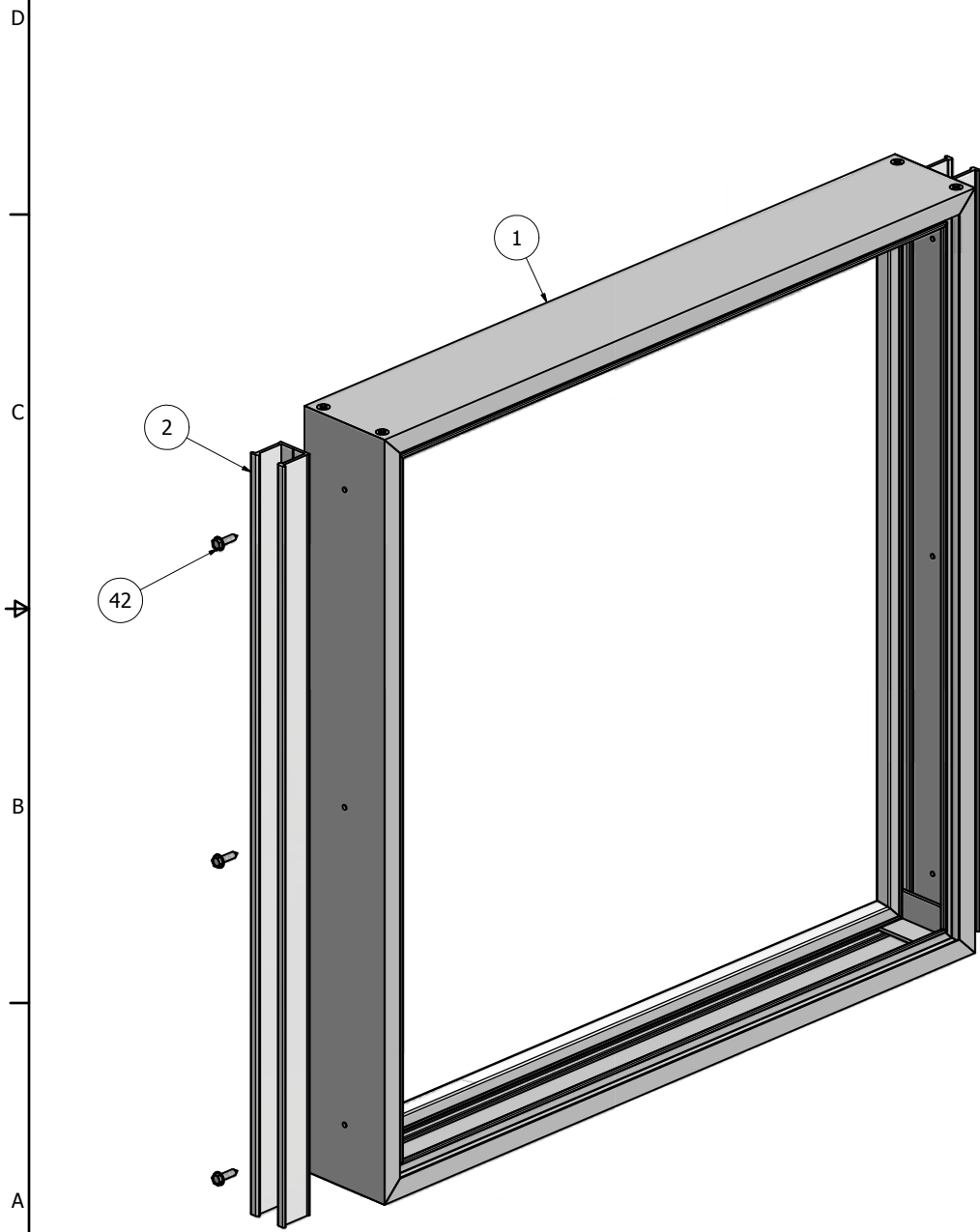


DETAIL B

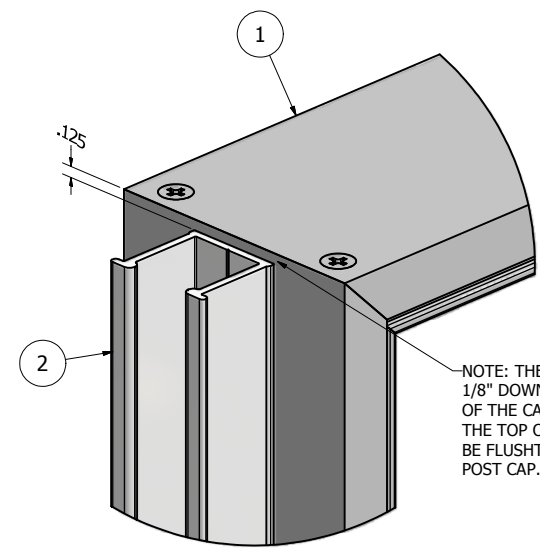
NOTE: PRE-CUT KITS ARE NOT PRE-DRILLED.
(Holes shown in this drawing are for reference only.
Drilling of pilot holes are to be done by fabricator.)

THIS DRAWING WAS CREATED AT NO CHARGE TO ASSIST YOU IN VISUALIZING OUR PROPOSAL. THE DRAWING HEREIN IS THE PROPERTY OF SIGNCOMP. PERMISSION TO COPY OR REVISE THIS DRAWING OR TO USE THIS DRAWING FOR PRODUCTION IS STRICTLY PROHIBITED AND CAN ONLY BE COPIED, REVISED OR USED FOR PRODUCTION WITH THE EXPRESSED WRITTEN PERMISSION OF SIGNCOMP.			
DRAWN	4/1/2010	<h1>SignComp</h1> <p>Series 3 Slide Body - Assembly</p>	
CHECKED			
QA			
MFG			
APPROVED			
SIZE	C	DWG NO	K1260
SCALE			REV
			SHEET 1 OF 1

Parts List			
ITEM	PART #	DESCRIPTION	NOTES
1	1260	Series 3 Slide Body	Assembly
2	1200	Series 2/3 Reveal	Attach to Slide Body
42	5220	Reval to Body Screw	Drill 5/32" pilot hole 12" OC



SECTION B-B



NOTE: THE REVEAL IS PLACED 1/8" DOWN FROM THE TOP OF THE CABINET THE ALLOWS THE TOP OF THE CABINET TO BE FLUSHTH THE TOP OF THE POST CAP.

DETAIL A

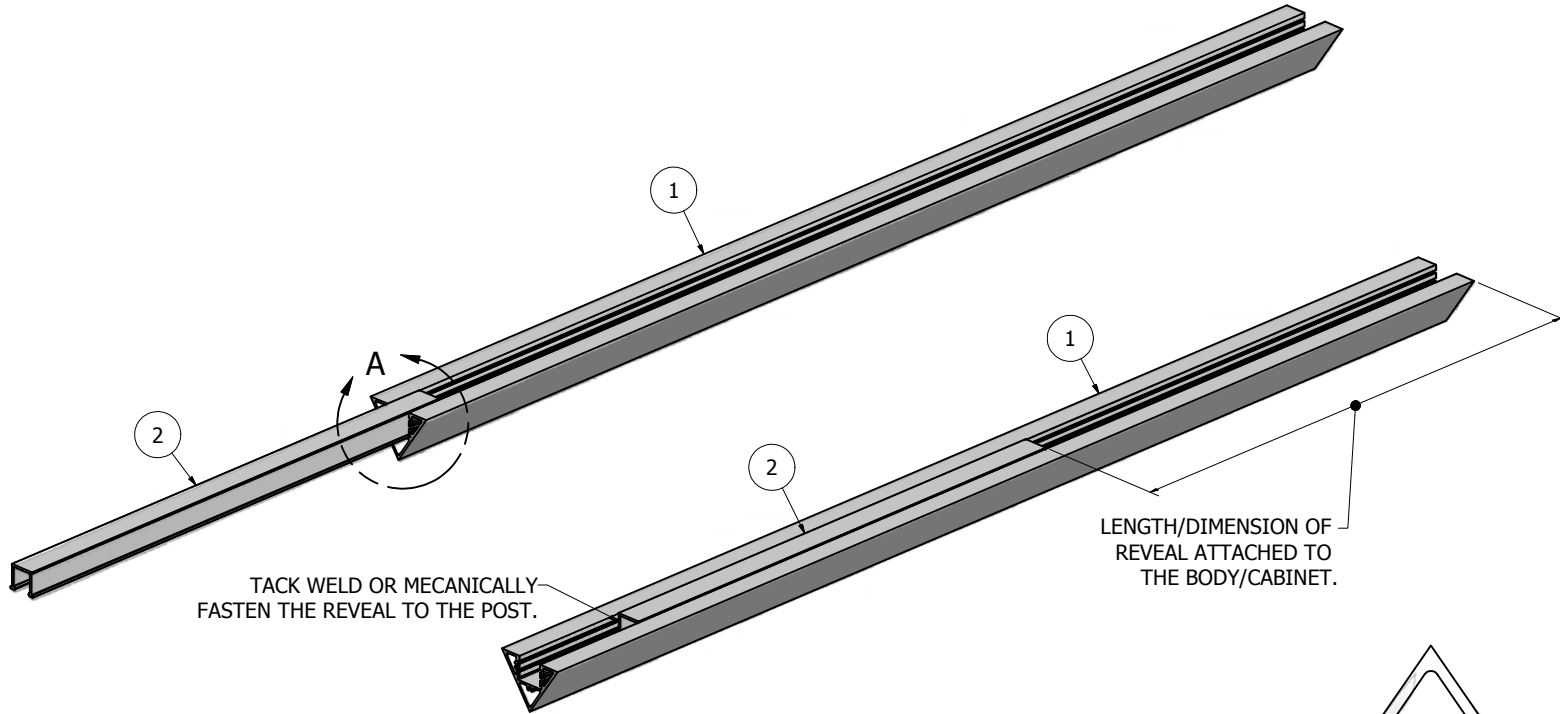
NOTE: PRE-CUT KITS ARE NOT PRE-DRILLED.
 (Holes shown in this drawing are for reference only.
 Drilling of pilot holes are to be done by fabricator.)

THIS DRAWING WAS CREATED AT NO CHARGE TO ASSIST YOU IN VISUALIZING OUR PROPOSAL. THE DRAWING HEREIN IS THE PROPERTY OF SIGNCOMP. PERMISSION TO COPY OR REVISE THIS DRAWING OR TO USE THIS DRAWING FOR PRODUCTION IS STRICTLY PROHIBITED AND CAN ONLY BE COPIED, REVISED OR USED FOR PRODUCTION WITH THE EXPRESSED WRITTEN PERMISSION OF SIGNCOMP.

DRAWN	4/1/2010	SignComp	
CHECKED			
QA		TITLE	
MFG		Series 3 Slide Body - Series 2/3 Reveal - Assembly	
APPROVED		SIZE	DWG NO
		C	K1260-00
		SCALE	REV
			SHEET 1 OF 1

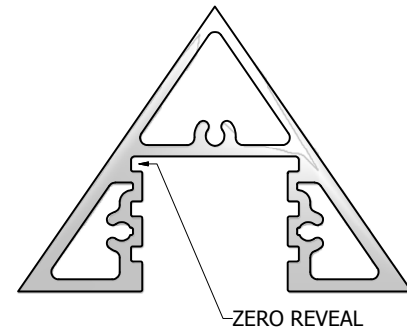
Ship To:
 Order #:

Parts List			
ITEM	PART #	DESCRIPTION	NOTES
1	1240	Series 3, 3-1/4" Triangular Post	
2	1200	Series 2/3 Reveal	Tack weld or mechanically fasten to post

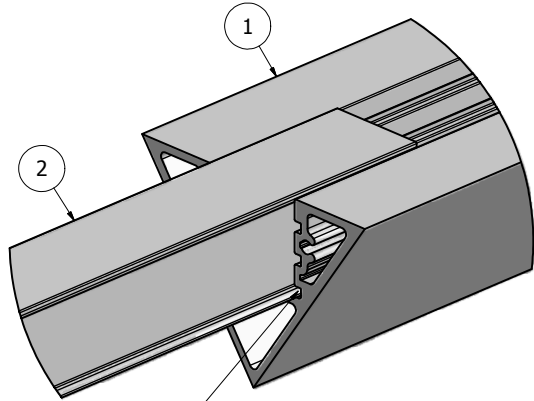


TACK WELD OR MECANICALLY FASTEN THE REVEAL TO THE POST.

LENGTH/DIMENSION OF REVEAL ATTACHED TO THE BODY/CABINET.



NOTE: PRE-CUT KITS ARE NOT PRE-DRILLED.
 (Holes shown in this drawing are for reference only. Drilling of pilot holes are to be done by fabricator.)



INSERT THE REVEAL/FILLER INTO THE ZERO REVEAL POSTION. SLIDED IT UP INTO THE POST.

DETAIL A

Ship To:
 Order #:

THIS DRAWING WAS CREATED AT NO CHARGE TO ASSIST YOU IN VISUALIZING OUR PROPOSAL. THE DRAWING HEREIN IS THE PROPERTY OF SIGNCOMP. PERMISSION TO COPY OR REVISE THIS DRAWING OR TO USE THIS DRAWING FOR PRODUCTION IS STRICTLY PROHIBITED AND CAN ONLY BE COPIED, REVISED OR USED FOR PRODUCTION WITH THE EXPRESSED WRITTEN PERMISSION OF SIGNCOMP.				
DRAWN	4/20/2010	<div style="text-align: center;">SignComp</div> TITLE Series 3, 3-1/4" Triangular Post - Series 2/3 Reveal - Assembly		
CHECKED				
QA				
MFG				
APPROVED				
SIZE	C	DWG NO	K1240-00	REV
SCALE		SHEET 1 OF 1		